

BC1X00

Baseband Converter

- HSSI to LVDS (EIA-644-A) interface
- Transparent operation at up to 52 Mbps
- DCE or DTE options
- Configurable control signal mapping
- Integral auto-sensing PSU



Baseband converter

Metrodata baseband converters

The Metrodata Baseband Converter product range enables the connection of LVDS/EIA-644 products to industry standard equipment such as Routers or Satellite modems with HSSI interfaces. The product range consists of devices which offer an LVDS/EIA-644 connection to a HSSI DTE (Router) or a HSSI DCE (Satellite modem).

The HSSI interface is presented on an industry standard 50-way SCSI-2 type connector, whilst the LVDS is presented on a 25-way D type connector.

Bit-switches are provided on the unit baseplate to offer simple yet flexible configuration options for the control signals. Each control signal can be configured either to follow an input control or to be driven to the ON state permanently. Flexible control mapping enables functions such as Crypto resynchronisation to be supported even across different interfaces.

About Metrodata

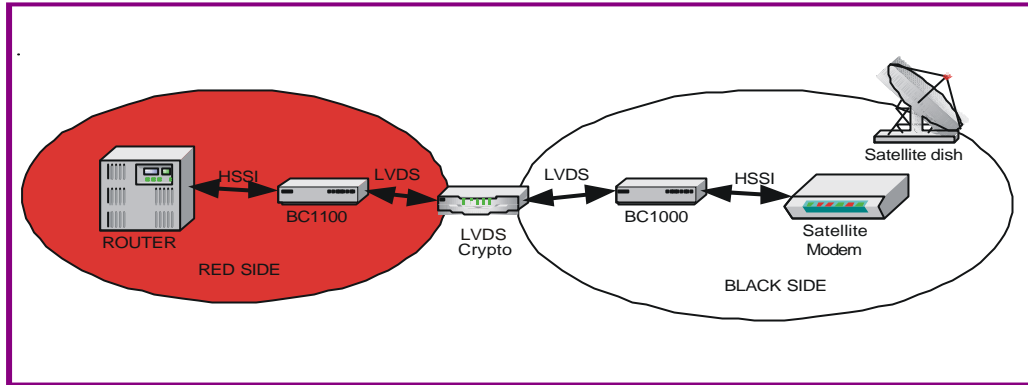
Founded in 1989 and based near London's Heathrow airport, Metrodata is a leading designer and manufacturer of datacommunications hardware for Fixed line, Satellite, Enterprise and Carrier networks. Specialising in interoperability and interconnectivity, Metrodata offers a range of Standard, Niche and System Integrated type products. These include Media converters, Interface converters, Fibre converters, Ethernet extenders and ATM switching and Circuit emulation products. Other specialist products manage high data rates and clock sensitive applications to ensure higher network performance. Metrodata provides COTS products to the commercial, government and defence sectors, as well as developing turnkey products to specific customer requirements. For more information and data on Metrodata products, visit our web site at www.metrodata.co.uk



BC1X00
datasheet



Application Diagram Example



On the un-encrypted Red side, the BC1100 enables the connection of the HSSI router port to the LVDS/EIA-644 port, whilst the BC1000 enables the encryptor to be connected to a standard HSSI satellite modem on the encrypted Black side.

Specifications

LVDS/EIA-644-A Up to 52Mbps		Compliance & Approvals	
Presentation	25-way D type, DCE female, DTE male	Safety	EN 60950
Signals	SD,ST, TT, RD, RTS, CTS, DCD, DSR, DTR	EMC	EN55022, EN50082
HSSI Port (Satellite modem)		Environment	
Presentation	50-way AMP (SCSI-2)	Storage Temp	-20 to +70 deg C
Signals	SD, ST, TT, RD, RT, CA, TA, LA, LB, LC, TM	Operating Temp	0 - 50 deg C
Power supply		Humidity	0-95% , non-condensing
-48VDC Supply	-40 to -72 VDC, 165 - 95 mA	Pressure	86-106 KPa
AC Mains	100-250 VAC, 50-400 Hz, 65 - 28 mA, IEC connector	Packaging	
Power Consumption	6.5 watts approx when operating	Type	Modem, 1U high without feet
		Dimensions	(W x Dx H mm)
		Rackmount	202 x 132 x 44 (without feet)
		Tabletop	202 x 132 x 48 (with feet)

Order codes

Order codes	100-250 VAC	-48 VDC
BC1000 HSSI DTE	80-05-556	80-21-556
BC1100 HSSI DCE	80-05-557	80-21-557

For more data on Metrodata products, visit our website at www.metrodata.co.uk
 Metrodata reserves the right to change specifications without notice.
 Please check when ordering.

