

APPLICATION NOTE

Building corporate ATM and Ethernet based networks with variable speed leased lines up to 16 Mbps via fractional STM1 service delivery

- ATM based delivery up to 16Mbps instead of multiple E1 leased lines.
- Remote site connectivity is 10/100BaseT
- Less customer-sited equipment
- Single STM1 access at the corporate site
- Reduced costs in CPE and line tariffs
- Automatically upgradeable bandwidth

Carrier Division



Application Opportunity

Leased line services are not generally available between E1 speed at 2Mbps and E3 speed at 34Mbps (or DS3 at 45Mbps). Consequently, a tariff and bandwidth step-function exists when needing to expand above 2Mbps.

Typically, a need for a speed increase from 2 Mbps can be to 4 or 6Mbps or other speeds up to 16Mbps. The choice currently is to use multiple-E1 services, which is complex and costly, or using an E3/DS3 with unused capacity!

Where multiple applications, or medium bandwidth single applications, are delivered to the same site, multiple leased lines will be used. Result: a termination unit and interface converter, plus a router or other data terminal for each leased line.

A clear opportunity exists, therefore, for single service delivery solution with associated saving on tariffs, equipment costs and space.

Carrier Division



Metrodata Solution

A new development from Metrodata enable medium bandwidth services to be delivered over a fractional STM1 leased line via fibre optic cable. The new product incorporates an SDH multiplexer, an "Inverse multiplexer over ATM" (IMA) and an Ethernet to ATM SAR in a single unit. This potentially allows delivery of the equivalent n*E1 services for a scaleable 'leased line' between two sites at speeds of between 2 and 16 Mbps over an SDH network – filling that current huge gap between 2 and 34Mbps.

The second product in this range has the capability to connect to eight remote sites using all 63 E1 virtual leased lines within a STM1 frame. Where each of the eight links can be allocated any bandwidth between 2 and 16 Mbps. This product incorporates an SDH multiplexer, an eight "Inverse multiplexer over ATM" (IMA) as well as an ATM switch.

This application note describes the new facility for an ATM network using a medium bandwidth service delivery between a corporate head office and up to eight remote sites where a simpler Ethernet interface is required. The diagram on the following page shows the general application.

The Metrodata units provide a physical link between the sites via an SDH network. ATM protocol passes between the ATM switches. The Metrodata unit uniquely aggregates the 'virtual' bandwidth from the STM-1 SDH service to that required by the user – between 2Mbps and 16Mbps. Single routers will then break out the specific information application.

The customer interface at the corporate head office is MM fibre STM1 / OC3 with a single core router port for supporting up to 8 remote sites. The customer interface at the remote site is 10/100 BaseT.

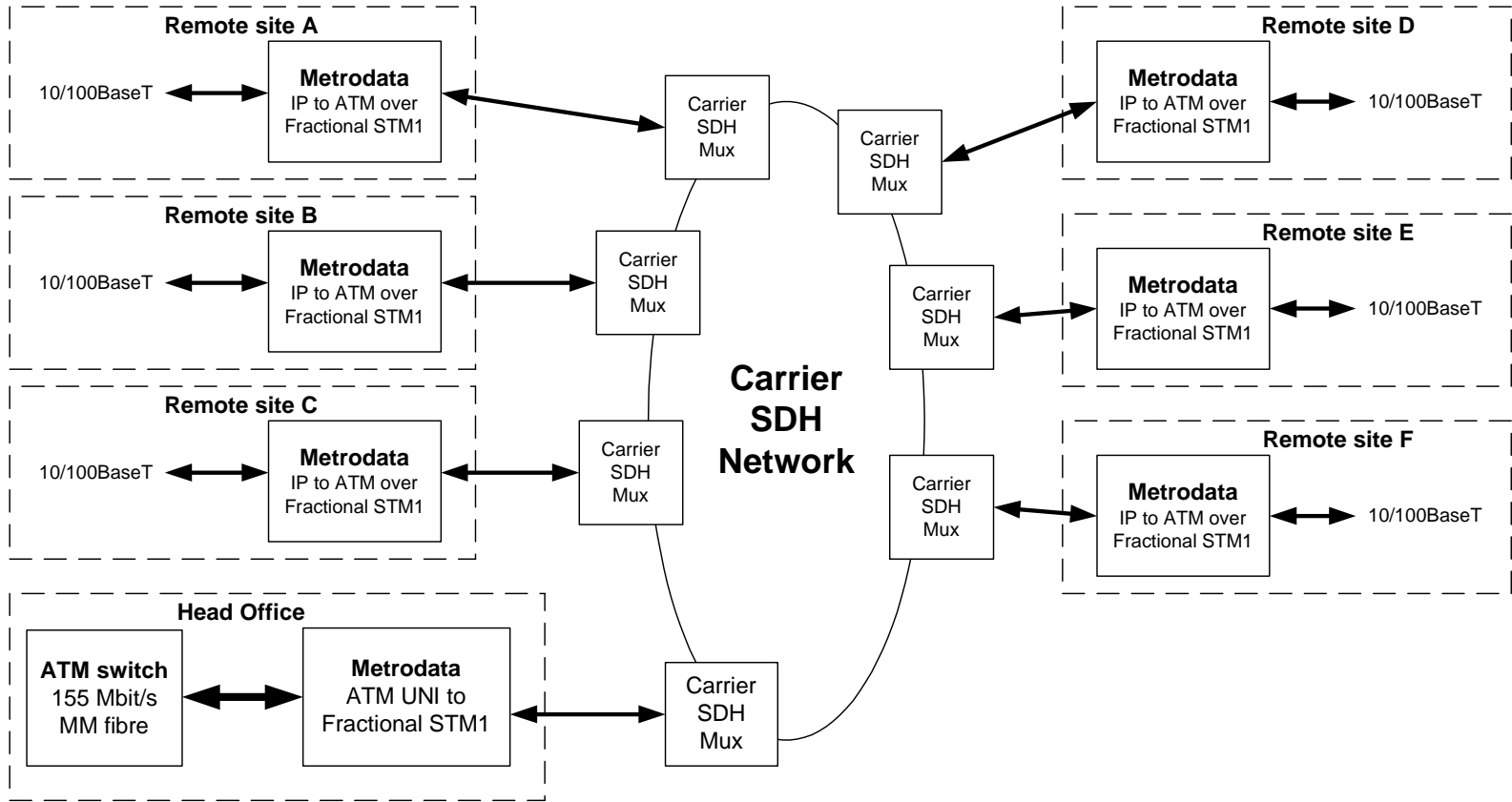
The Metrodata Unit brings together Inverse Multiplexing over ATM functionality with line interface and signal conversion. It offers a single flexible service delivery for multiple applications and used with single on-site routers save the associated costs of multiple leased-lines. It will also automatically respond to changes in bandwidth supplied from the core SDH network – allowing very easy automatic changes to service speeds for the customer.

So, extending the STM1 interface to a customer site via fibre to then Inverse Multiplex the Virtual Containers into the required bandwidth makes both technical and commercial sense.

The Metrodata solution to this problem is to design and manufacture a product that connects to a standard SDH multiplexer over single mode fibre fractional STM1 link. The customer receives and pays for the bandwidth he *actually* needs.



Medium bandwidth service provision from a Head Office to several remote sites. 10/100 connectivity via ATM over a Fractional STM1 service delivery



Carrier Division 



Technical Overview of SDH infrastructure

SDH constitutes the core of the new all-digital very high bandwidth networks, based upon an STM1 frame that can carry a number of 'virtual containers'. These STM1 frames are then transported over single mode fibre between the SDH multiplexers.

Each SDH multiplexer can access individual virtual containers and pass these to a line card that converts the virtual container to a recognised leased line speed e.g. E1, E3 or DS3.

An SDH multiplexer does not have on board fibre drivers for E1, E3 or DS3, but does have a fibre driver for an STM1 signal, to which the Metrodata unit can connect via single mode fibre cable. External equipment such as the Cmux can provide fibre drivers for E1 service delivery.

Most leased line Service Providers have SDH core networks and this innovative development from Metrodata facilitates an earlier roll-out of SDH capacity attracting new revenue, whilst also satisfying an important Customer need.



Metrodata Overview – a technically excellent British communications company

You think you have an issue connecting communications equipment and network services together? – Not any more - Metrodata will have developed the solution to your current need, and we are already developing the solutions for your future needs!

The communications world is full of techno-terminology and mystique. Convergence, fibre, SDH, STM1, ATM, integration, copper, interface conversion, interface extension, coaxial, dsu, satellite, broadband, connectivity, access, standards and so on.

Carriers and Service Providers are coming under increasing pressure from the market to provide more than just leased lines. End to end management of their services, fast service provision, flexible bandwidth and tariffing, remote management and diagnostic tools are some examples.

Be assured, the **Metrodata Carrier Division** is working closely with users and SP's to create innovative solutions and services.

Metrodata are the experts to guide you to your network solution.

Contact Details

For further information regarding this Applications please contact the Carrier Division Team.

Email: sales@metrodata.co.uk

Tel: +44 (0) 1784 744 710

Fax: +44 (0) 1784 744 730

Alternatively visit our Website at <http://www.metrodata.co.uk/>

